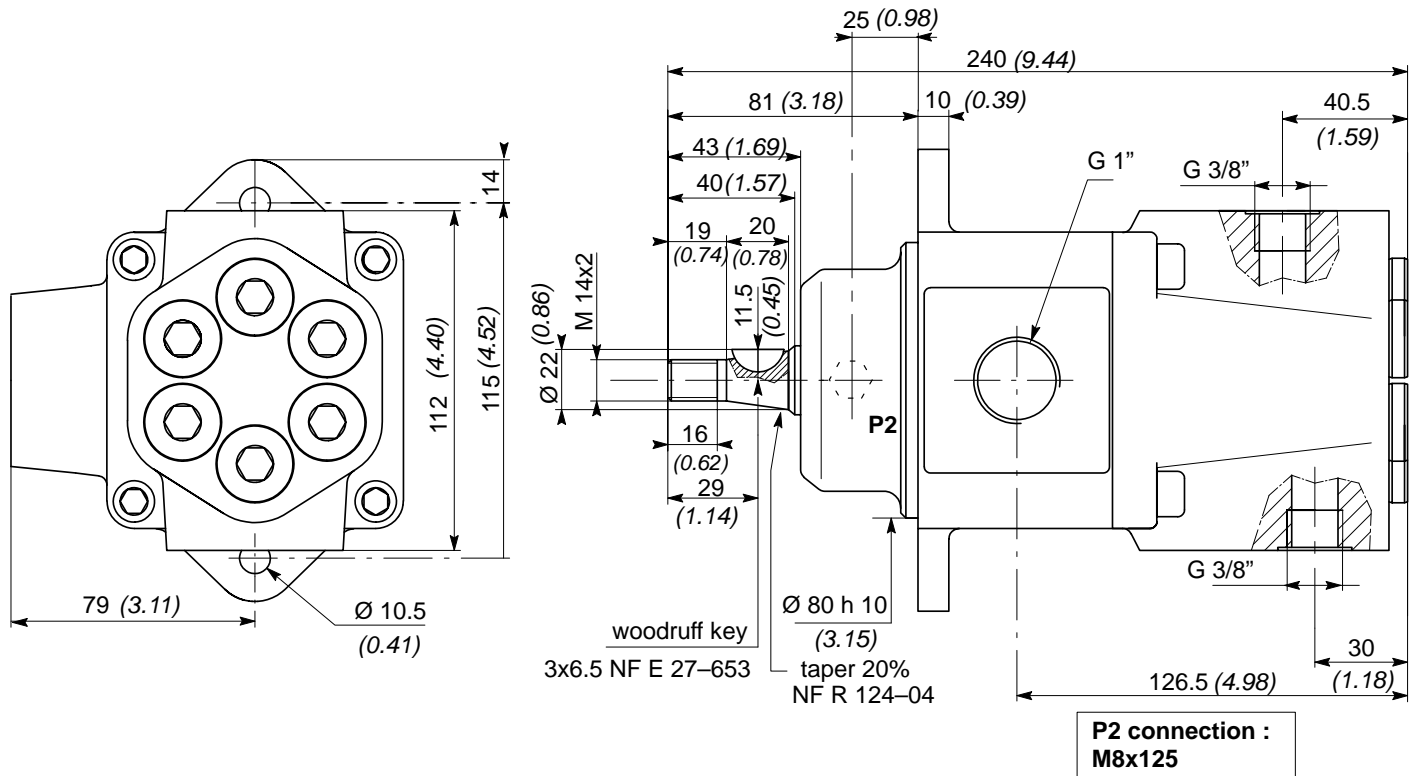


# INDUSTRIAL FIXED DISPLACEMENT PUMP

# DB 620

**2x7.5 cm<sup>3</sup>/rev (2x0.46 cu.in.)**  
**200 bar (2900 PSI)**  
**2600 rev**



Dimensions are written in millimeters and (inches)

## TECHNICAL CHARACTERISTICS

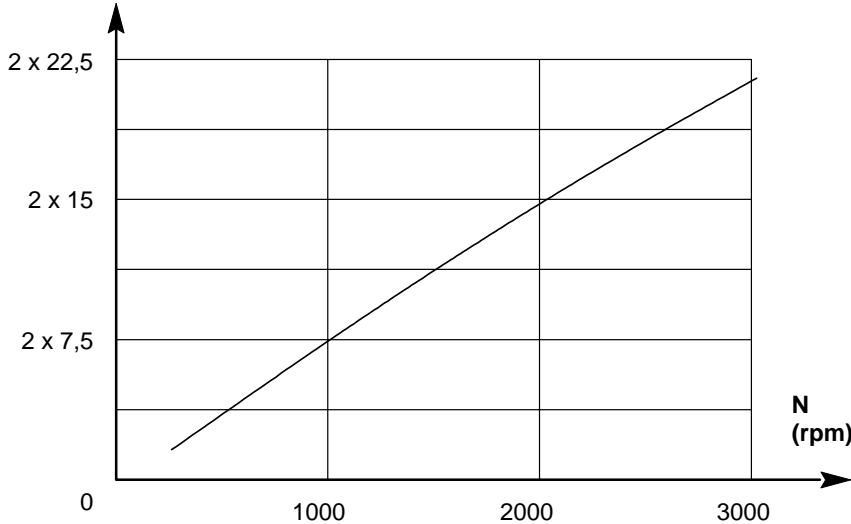
Displacement	:	2x7.5 cm <sup>3</sup> /rev (2x0.46 cu.in.)
Max. continuous pressure	:	200 bar (2900 PSI)
Max. peak pressure	:	250 bar (3620 PSI)
Self-priming speed	:	2600 rpm
Peak speed	:	2800 rpm
Max. temperature	:	100-120° C (212-248° F)
Inlet Ø	:	G 1"
Outlet Ø	:	G 3/8"
Weight	:	9.2 kg (20.29 lbs)
$\frac{N_v}{p}$ mini	:	25

## PERFORMANCES

### FLOW CURVE

Q (l/min)

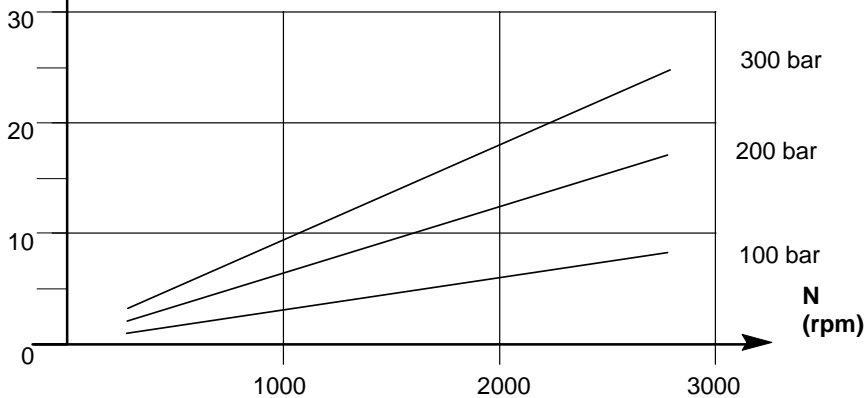
$\nu = 30 \text{ cSt}$   
 $P = 300 \text{ bar}$



2 identical flows  
capable of operating  
at different pressures

### POWER CURVE

P (kW)



### CONDITIONS OF USE

See also sheet headed "start-up".

**FLUID :** The viscosity of the fluid at the extreme temperatures must be between 15 cSt (2.3°E) and 1000 cSt (130°E). Optimum flow between 15 cSt (2.3°E) and 200 cSt (26°E).

If fluid viscosity is less than 15 cSt at extreme operating temperature please consult our Technical Department.

The standard version is equipped with AA (self-priming) valves and the P2 air bleed plug (necessary for vertical submerged position).

### CODING :

Clockwise rotation, SH : DB 620 052750